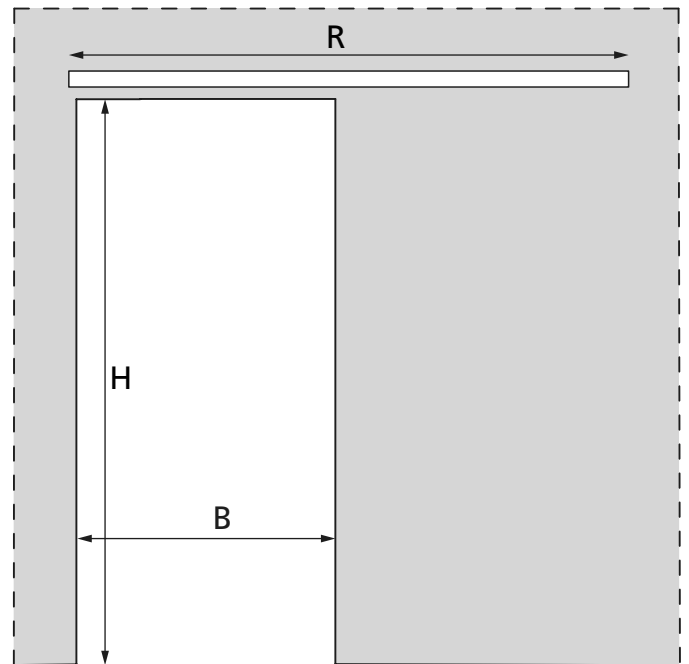
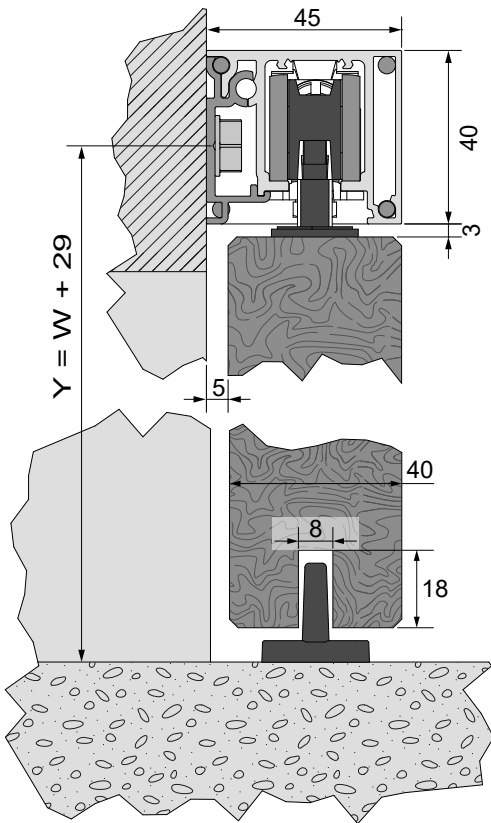


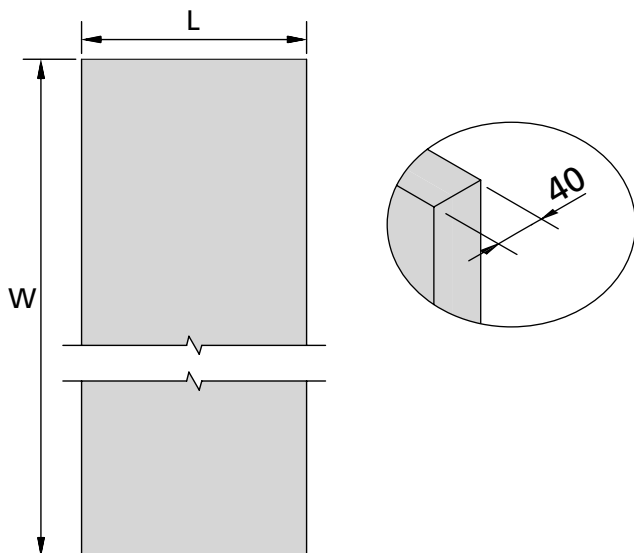


Réf. Kit Set nb / Art.-Nr.	B (mm)	L (mm)	R (mm)
SAF-S82C-160-1 SAF-S82D-160-1	560 < B < 740	630 < B < 810	1595
SAF-S82C-160-2 SAF-S82D-160-2			
SAF-S82C-195-1 SAF-S82D-195-1	740 < B < 987	810 < B < 1057	1950
SAF-S82C-195-2 SAF-S82D-195-2			

	10 - 20 KG	21 - 60 KG
		
	M65S	M66S
L (mm)		
< 830	1 Max	1 Max
≥ 830	2	2



Dimensions de la porte - Abmessungen von Türen - Dimensions of doors - Dimensiones de las puertas

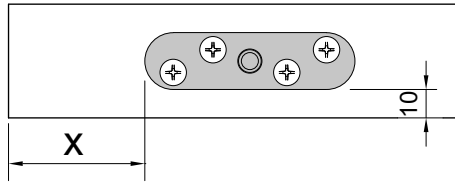


$$L = B + 70 \text{ MM}$$

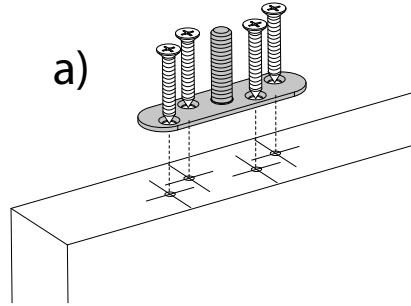
$$W = H$$



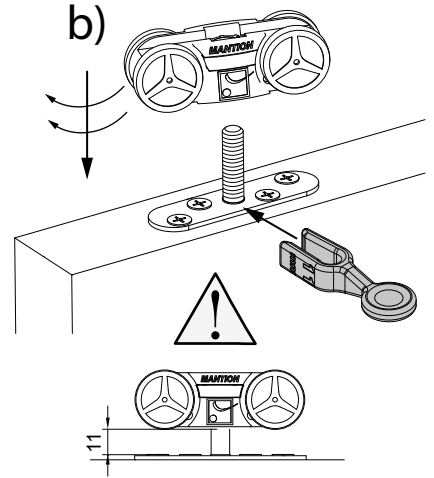
1



a)

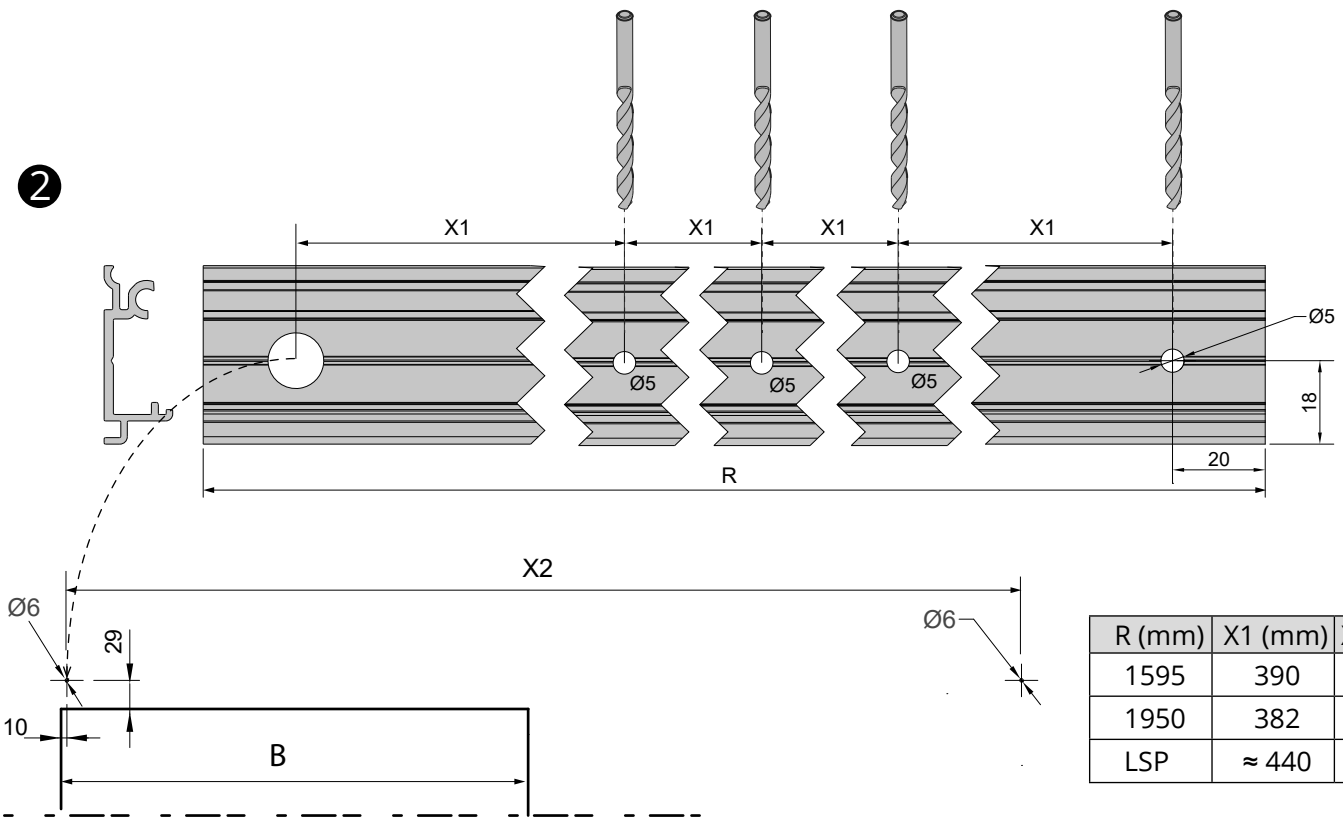


b)



X	24 MM
	51 MM

2



R (mm)	X1 (mm)	X2 (mm)
1595	390	1555
1950	382	1910
LSP	≈ 440	R - 40

3

