

**NEW:**

# MOVENTIV® 60

by MANTION

**MADE IN FRANCE**



**CYCLES**  
**500 000**

**WARRANTY**  
**5 YEARS**  
SYSTEMS  
FOR INDOOR  
USE



MOTORISATION

## AUTOMATED SYSTEM FOR SLIDING DOORS



contactless opening/closing

### Ultra-silent: a new generation linear motor

The contactless magnetic field drive eliminates any mechanical noises.

### Exceptionally reliable: brushless motor

The contactless direct drive reduces servicing needs considerably.

### Connected motorisation 3.0: smartphone app

MOVENTIV® makes it easy to operate doors, thanks to Bluetooth, and is quick to set up and use.

### Simple to set up: a ready-to-install product

The system is fully equipped in MANTION's workshops and delivered as a ready-to-install product.

### Versatile connection options

The controller is compatible with: radars, switches, LED strips, magnetic locks.

## MOVENTIV® 60

by MANTION



Linear Motor Manton®

DESIGNER AND MANUFACTURER OF SLIDING SYSTEMS SINCE 1920

[www.mantion.com](http://www.mantion.com)

**MANTION**  
SLIDING SYSTEMS



# MOVENTIV<sup>®</sup> 60 for doors weighing 20-60 kg

Components for 1 door: **A + B + C + D + E** (B may be optional according to the set-up)

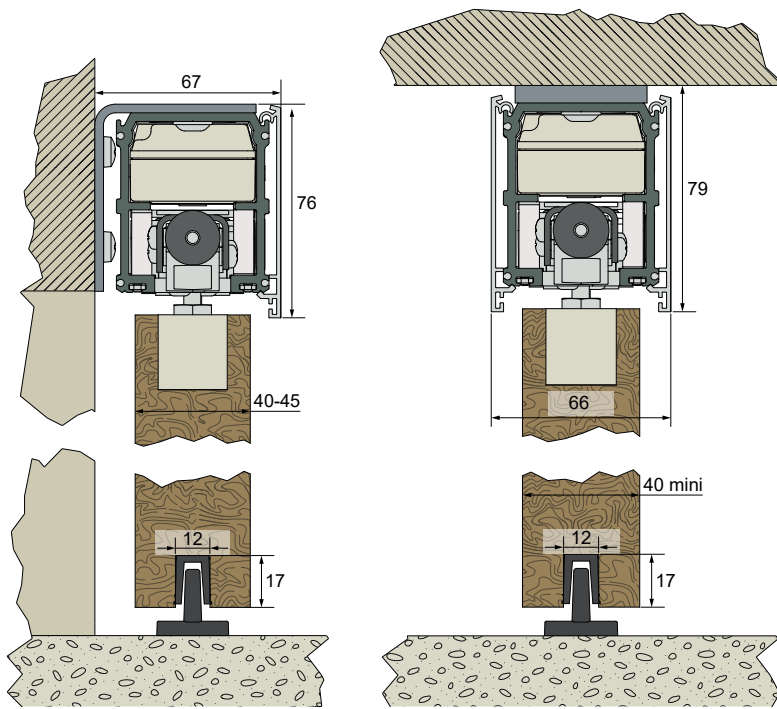
	830 MM	930 MM	1030 MM	1130 MM	Maximum door width
<b>A</b>	<b>TRACK FASTENING ELEMENTS</b>				
	Surface mounting				Wall-mounted bracket made of galvanized steel and cut to length
	<b>C0013800</b>	<b>C0013810</b>	<b>C0013820</b>	<b>C0013830</b>	
	Ceiling mounting				Ceiling-mounted plate made of galvanized steel and cut to length
	<b>C0013840</b>	<b>C0013850</b>	<b>C0013860</b>	<b>C0013870</b>	
<b>B</b>	<b>TRACK CASING</b>				
	Finishing pelmet				Anodised aluminium pelmet to be clipped onto the track. Cut to length.
	<b>C0013880</b>	<b>C0013890</b>	<b>C0013900</b>	<b>C0013910</b>	
	Set of pelmet end caps				Set of two polyamide end caps
	<b>K0001400</b>				
<b>C</b>	<b>MOTORISED TRACKS</b>				
					Track kit with integrated motorisation – includes: - 1 anodised aluminium track – cut to length - 1 stator (coils which generate a magnetic field) - 1 carrier (mobile trolley equipped with magnets) - 1 controller (motor control) - hardware for fastening the track
	<b>K0001520</b>	<b>K0001530</b>	<b>K0001540</b>	<b>K0001550</b>	
<b>D</b>	<b>KITS FOR FITTING PANELS</b>				
	For timber panels				Fitting kit – flush-mounted in timber panels, includes: 1 anodised aluminium profile to be flush-mounted in the top of the door, 1.5 m + 2 end caps + 2 door-to-carrier connecting screws + 1 PVC profile to be flush-mounted in the underside of the door, 1.5 m + 1 polyamide guide
	<b>26FC</b>				
	For glass panels				Fitting kit for 8 mm glass panels, includes: 2 clamps + 2 door-to-carrier connecting screws + 2 anodised aluminium pelmets, 1.5 m + 2 end caps + 1 stainless steel lower guide
	<b>K0001430</b>				
<b>K0001440</b>				Ditto for 10 mm glass panels	
<b>E</b>	<b>CONTROL SYSTEM ACCESSORIES (plan for one control per side)</b>				
	<b>C0001310</b>				Motion sensor.
	<b>C0001315</b>				Motion sensor radar and presence sensor (prevents the door from closing if someone is in front of it).
	<b>C0001325</b>				Miniature photoelectric sensor.
	<b>C0004780</b>				Wireless switch, ideal for renovation: no cables to lay. 433.92 MHz wireless control.
	<b>C0001290</b>				Wired switch with 1 push-button.
	<b>C0001300</b>				Wired contactless switch.







# MOVENTIV® 60 for doors weighing 20-60 kg



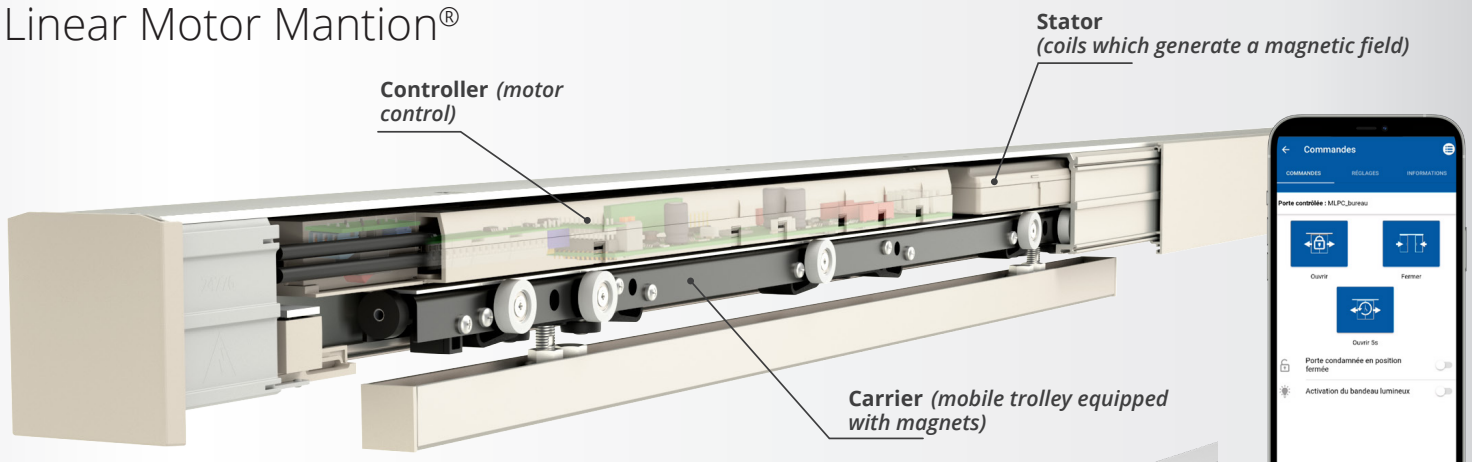
## MOVENTIV® 60 by MANTION



### Kits for fitting panels

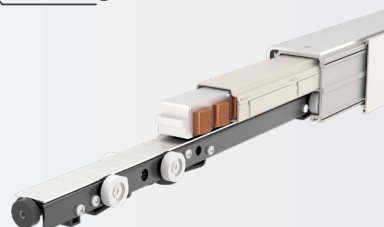


### Linear Motor Manton®



#### KEEPING EVERYONE SAFE!

MOVENTIV® operates doors weighing up to 60 kg contact-free thanks to its app. It's ideal for fighting COVID and staying safe!

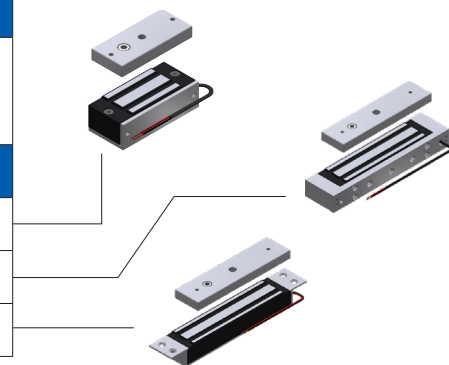




# MOVENTIV® 60 for doors weighing 20-60 kg

## OPTIONS:

COURTESY LIGHT	
<b>K0001490</b>	LED strip. It comes on when the door travels, and can also be controlled via a smartphone app. Length = 1 m. Fastened with adhesive tape – can be connected up to the controller.
LOCK ACCESSORIES	
<b>C0013750</b>	Surface or flush-mounted magnetic lock. Holding force = 60 kg.
<b>C0013760</b>	Surface-mounted magnetic lock. Holding force = 180 kg.
<b>C0013765</b>	Flush-mounted magnetic lock Holding force = 180 kg.



## Technical specifications **MOVENTIV® 60**

General information	
Description	Automated system for sliding doors
Dimension of the load bearing profile (W x H)	53 x 63 mm The length depends on the width of the door
Motorisation	Magnetic linear motor – Contactless drive
Maximum speed of the door	60 cm/s
Door dimensions	830 - 930 - 1030 & 1130 mm - Track length: 1760 - 2360
Door weight	20 to 60 kg
Electric power	
Supply voltage	110/230 V AC - 50/60 Hz
Protection	Internal fuse 4AT
Maximum consumption	65W
Environment	
Degree of protection	IP20
Silent	< 55 dB during opening – < 45 dB during closing
Temperature range	+5° < T < +40°
Compliance with standards/directives	
Safety of use	EN60335-1 - EN60335-2
Electromagnetic compatibility	EN61000-6-1 - EN61000-6-2 - EN61000-6-3 - EN61000-6-4
Directive	2011/65/EU: RoHS 2014/35/EU: Low voltage 2004/108/EC: Electromagnetic compatibility (EMC)
Connection and control options	
Connectivity	RF 433 MHz - Bluetooth low energy 4.2 +
Wired control	Push button – Radar
Lighting output	Controlled at door opening
Lock output	Enables a lock to be connected up (24V, 1A max.)
Safety	A safety input, such as photoelectric sensor, can be connected up