



NEW

MOVENTIV[®] 60

by MANTION



Automated system for sliding doors

Designer and manufacturer of sliding systems since 1920

www.mantion.com





NEW
MOVENTIV® 60
by MANTION

Discover our **new touchless motorized system** for sliding doors: **MOVENTIV®** is an **innovative, ultra-quiet, high-performance technology** that can be **controlled remotely via a smartphone proprietary application** and with a wide range of accessories.

MOVENTIV® 60 is the ideal solution for the automation of your sliding doors, wherever you want to install it. **Its timeless design and compact size make the MOVENTIV® an indispensable product for your projects.**

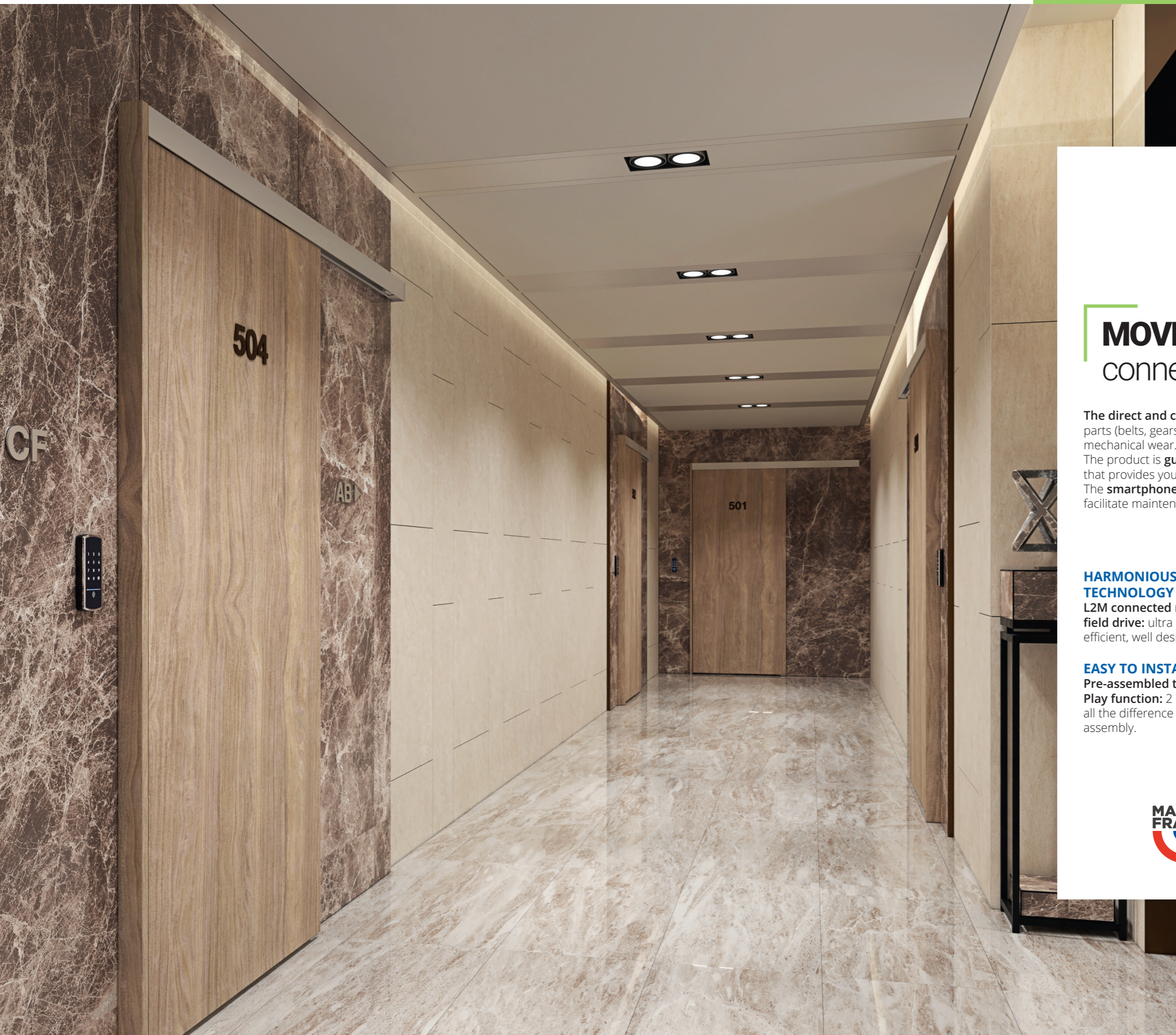


Discover **MOVENTIV® 60** in video

20 to 60 kg

Some ideas for locations:

- HOTELS & RESTAURANTS:** entrance doors to kitchens, reception areas, bathrooms, bedrooms, vip areas, etc.
 - OFFICES & MEETING ROOMS:** doors leading to work spaces and meeting rooms, dividing doors for offices and departments, etc.
 - RESIDENCES, RETIREMENT HOMES & MEDICAL CENTRES:** entrance doors adapted to people with reduced mobility.
 - DOCTORS' PRACTICES, DENTISTS' PRACTICES, HOSPITALS, CLINICS:** entrance doors that meet essential health and safety requirements.
 - SCHOOLS, NURSERY & EDUCATION FACILITIES:** doors in schools, institutes, universities, cultural centres, etc.
 - PRIVATE INDIVIDUALS: HOUSES AND RESIDENCES:** doors to the kitchen, bedrooms, walk-in wardrobe, lounge, etc.
- And other places too, such as airports and so on. We are happy to help you out for any project you have!**



MOVENTIV® 60 : connected motorization

The **direct and contactless drive system** removes the need for transmission parts (belts, gears, etc.), providing exceptional reliability through significantly less mechanical wear.

The product is **guaranteed for 500,000 cycles or 5 years** – a long-term warranty that provides you with peace of mind.

The **smartphone application** will provide you with all the essential information to facilitate maintenance.

HARMONIOUS BLEND OF TECHNOLOGY

L2M connected motor with magnetic field drive: ultra silent, incredibly efficient, well designed and touchless.

EASY TO INSTALL

Pre-assembled track and Plug and Play function: 2 benefits that make all the difference for an easy and quick assembly.

EASY TO USE

Allowing for **customized daily management of your locking system**, MOVENTIV® offers a **wide range of accessories**, all controlled by the application.

EASY TO MAINTAIN

Simplified maintenance thanks to information available in the application. **Excellent reliability and low maintenance** thanks to the contactless motor.



harmonious blend of technology

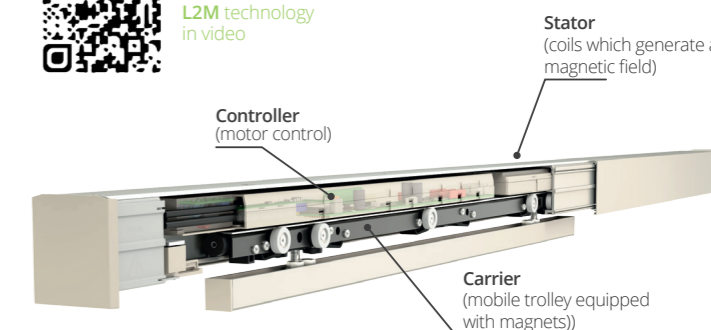
MOVENTIV® 60, this integrated, automated system is specifically designed to operate interior sliding doors often used in places such as offices, hospitals, hotels, homes and other types of buildings. **MOVENTIV® 60 is equipped with a new generation magnetic field-driven motor**, which eliminates the need for transmission parts such as speed reducers and belts. The electronic part is fully incorporated into the sets delivered. **As discreet as it is efficient, the MOVENTIV® motor is fully incorporated into its profile.** Its timeless design and compact size make **MOVENTIV®** a must-have product for all your projects that involve automated room dividers.



Linear Motor Manton



Discover
L2M technology
in video



KNOW-HOW

Design and development by MANTION R&D. **MOVENTIV® 60** is assembled in one of our subsidiaries located in Genlis, France, which is specialized in designing high-end motors.



ULTRA-EFFICIENT

As the drive is direct and without transmission elements, the **MOVENTIV®** is guaranteed for 500,000 cycles or 5 years.



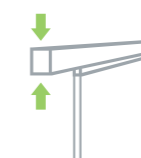
ULTRA-SILENT

The contactless magnetic field drive eliminates any mechanical noises which conventional rotating motors can generate. Enjoy unrivalled, silent operation!



TOUCHLESS

MOVENTIV® provides touchless operation of glass or wood doors weighing up to 60 kg. It is ideal for staying safe and reducing the risk of contamination.



CLEAN DESIGN

As compact as it is powerful, the **MOVENTIV®** motorization is integrated into the profile.

Easy to install



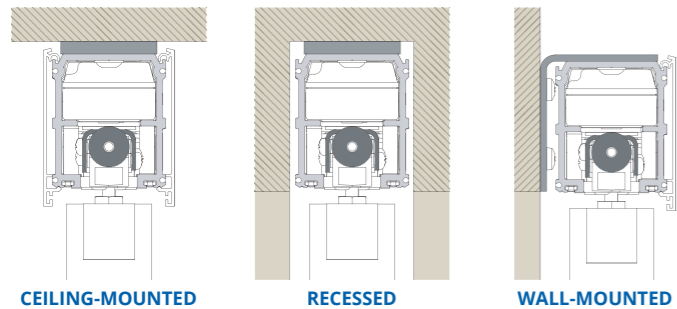
The system is fully assembled in MANTION's factory and delivered as a **ready-to-install product**. Mount the system, connect it to the main power supply and commission it using your smartphone (Plug and Play). **You couldn't save more time if you tried!**

Installation and commissioning are simplified by the application: you can adjust the speed of your motorization, change the opening/closing delay, activate the LED panel, change the terminal block assignment, launch a learning process for the stops...

The switch settings and the multiple connections allow you to configure the system according to your wishes.

POSSIBLE MOUNTING OPTIONS

MOVENTIV® 60 can be wall, ceiling-mounted or recessed, whatever the requirements. You can also decide to use it with or without a door jamb (a vertical jamb is more pleasing to the eye and shuts the light out more effectively for wood doors).



CEILING-MOUNTED

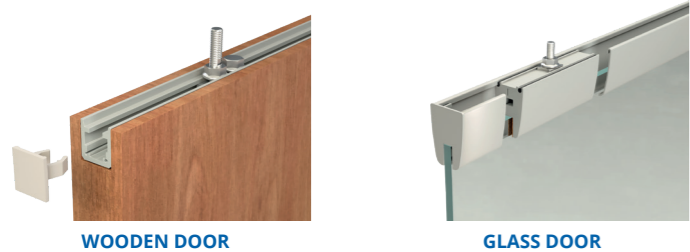
RECESSED

WALL-MOUNTED

DIFFERENT POSSIBLE CONFIGURATIONS

MOVENTIV® is the **ideal solution for automating doors that weight between 20-60 kg**. The standard MOVENTIV® 60 is available in **4 models**: for doors with a maximum width of 830 mm, 930 mm, 1030 mm or 1130 mm.

Our system has been designed to adapt to any interior sliding door made of wood (40-45 mm) or glass (8-10 mm). It's very compact and anodised aluminium finish make it a discreet addition to any interior.



WOODEN DOOR

GLASS DOOR



BENEFITS OF THE APP

Simplified configuration thanks to Plug and Play

Connect your MOVENTIV® to the mains and configure it from your phone via Bluetooth. It's delete highlighted and just use effortless!





Easy to use

MOVENTIV® is a connected automation 3.0, which simplifies the remote control of your sliding door. **Its smartphone application allows you to control**, via Bluetooth, **the opening and closing of your door** and much more...

Its smart system and its wide range of accessories (button, radar, smartphone application, LED strip) allow a personalized setting of your door.

MOVENTIV® allows **safe daily use**, the system is prepared for all contingencies: the radar with obstacle detection prevents untimely closing, the Push&Go function allows the door to be opened by pushing it in the direction of opening, locking in the permanent open position in the event of heavy traffic, activation of the mechanism in the direction of exit only, manual opening possible when the power is off, your door remains functional even in the event of a power failure.

CONTROL ACCESSORIES

BARRAGE CELL
Miniature barrier cell for passage detection

MOTION SENSOR
Automatic opening in case of passage

RADAR WITH OBJECT DETECTION
Automatic opening in case of passage and presence of object and/or person

RADIO SWITCH
Ideal for renovation, no wire to pull

PUSH SWITCH
Wired switch 1 pushbutton

TOUCHLESS SWITCH
Wired switch allows for touchless use. Ideal for protection against contaminations

COURTESY ACCESSORY

LED TAPE
Lights up when the door is in motion and/or with the application..

LOCKING ACCESSORIES

ELECTROMAGNETIC LOCK
Surface mounted or recessed. Holding force from 60 to 180kg



BENEFITS OF THE APP Your daily companion

Your smartphone is your remote control. But the application goes even further!



Easy to care for



The direct and contactless drive system removes the need for transmission parts (belts, gears, etc.), providing exceptional reliability through significantly less mechanical wear.

The product is guaranteed for 500,000 cycles or 5 years – a long-term warranty that provides you with peace of mind.

The smartphone application will provide you with all the essential information to facilitate maintenance.



NO TRANSMISSION ELEMENTS
No belts or gears... reducing mechanical wear



NO FRICTION
The magnetic field ensures contact-free movement



HIGH PERFORMANCE
Up to 100 cycles/hr and 500,000 maintenance-free cycles guaranteed



EXCEPTIONAL RELIABILITY
MOENTIV® technology dramatically reduces maintenance

BENEFITS OF THE APP

All the information you need to simplify maintenance

You can know the **position of the switches**, know the **number of cycles** since the commissioning, **set your input type** (radar or button)...



The app MOVENTIV®



remote control of everything

MOVENTIV® 60 simplifies operation. Its motorization is connected 3.0 thanks to the smartphone application we have developed. **Control the opening and closing** of your doors with a simple gesture **via Bluetooth**. This **free application** will also allow you to set up everything quickly. It's as **easy to use as it is to install**. You connect the mains and control with the smartphone "Plug and Play".

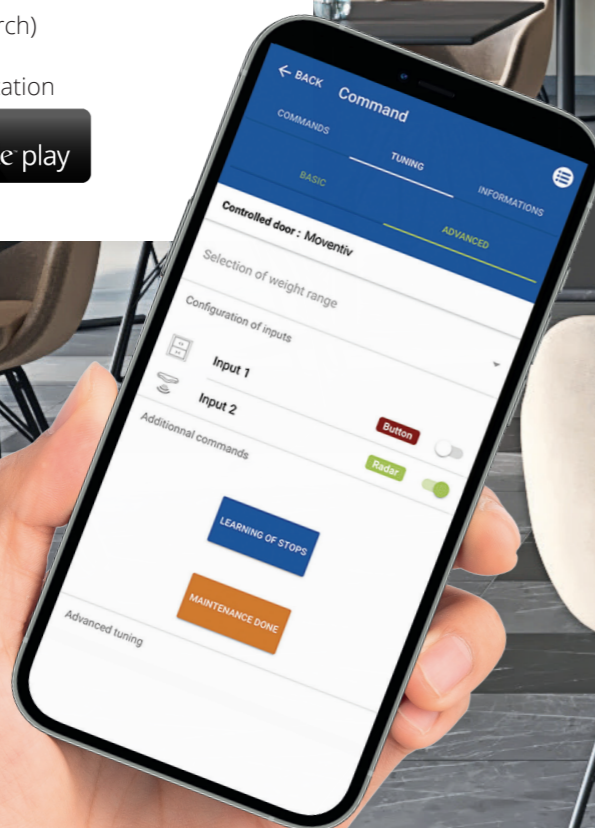
Operate your sliding door remotely and much more...

Opening, closing... you can control your motorization with your smartphone, in the same way as with a remote control.

But the application goes even further!

- Open/close control & timed opening control
- Locking the door
- Opening/closing speed adjustment
- Control accessories can be set per side
- Switching on the LED headband (torch)

download the **free** MOVENTIV® application



TECHNICAL INFORMATION

General information

Designation: Automatic system for sliding doors
Dimensions of the support profile (WxH): 53 x 63mm
 The length depends on the width of the door
Motorization: Magnetic Linear – Contactless drive
Maximum door speed: 60cm/s
Door dimensions: 830 · 930 · 1030 and 1130 mm
Track length: 1760 · 2360mm
Door weight: 20 – 60kg

Electric

Supply voltage: 110/230 V AC · 50/60 Hz
Protection: Internal fuse 4AT
Max. power consumption: 65W

Environment

Protection class: IP20
Silent: < 55dB when opening · < 45dB when closing
Temperature range: +5° < T < +40°

Normative conformity / Directive

Safety in use: EN60335-1 – EN60335-2
Electromagnetic compatibility: EN61000-6-1 – EN61000-6-2 – EN61000-6-3 – EN61000-6-4
Directive :
 · 2011/65/UE: ROHS
 · 2014/35/EU: Low voltage
 · 2004/108/EC: Electromagnetic Compatibility (EMC)

Connection options / Control

Connectivity: Radio 433 MHz – Bluetooth low energy 4.2 +
Wired control: Push button – Radar
Lighting output: Controlled by the opening command
Lock output: Allows the connection of a lock (24V, 1A Max)
Security: Possibility of connecting a security input such as a barrier cell

HOW TO GET THE PRODUCT?

Are you interested in the MOVENTIV® 60, and want to know more? Nothing could be easier!

- **Contact one of our technical sales representatives**
export@mansion.com
- **Leave us a message via our Contact Form:**
<https://www.mansion.com>



Designer and manufacturer of sliding systems since 1920

For over a century, the **MANTION** group has been developing its business designing, making and selling **sliding fittings for the building trade**. Recognised today as one of the global leaders on our market, we always strive to anticipate and provide **reliable and easy-to-use solutions** for customers' personal and work spaces.

In that same spirit and driven by the love of a well-designed product built to last, in the last few years we have been investing in automatic controls for doors and windows, in a direct progression from our original products. Considering this a strategic area of development, we chose to develop and manufacture our own automatic control products in our subsidiary **MANTION SMT** based in Genlis in the Côte d'Or region of France. After pioneering the use of automatic controls for sliding shutters and then becoming the benchmark on the market for automatic controls for swing shutters, today we are able to bring you **the most reliable, easy-to-use automatic control for sliding doors available on the market**.

After several years of development and testing, we are proud to bring you a solution that is **silent, simple to install and use, long-lasting, safe and discreet**. Featuring the latest technologies, our **MOVENTIV®** automation system is ready to equip and operate, elegantly and discreetly, whichever superb glass or wooden door you have chosen.

As for most of the **MANTION** group's products, beyond its purely technical qualities, the **MOVENTIV®** automatic control system brings you the values of an ethical company that proudly flies the «made in France» flag and brings that unmistakable **French touch**.



MANTION SAS

7, rue Gay Lussac / 25000 Besançon
Tél. +33 (0) 3 81 50 56 77 - Fax. +33 (0) 3 81 53 29 76
mantion@mantion.com



www.mantion.com