

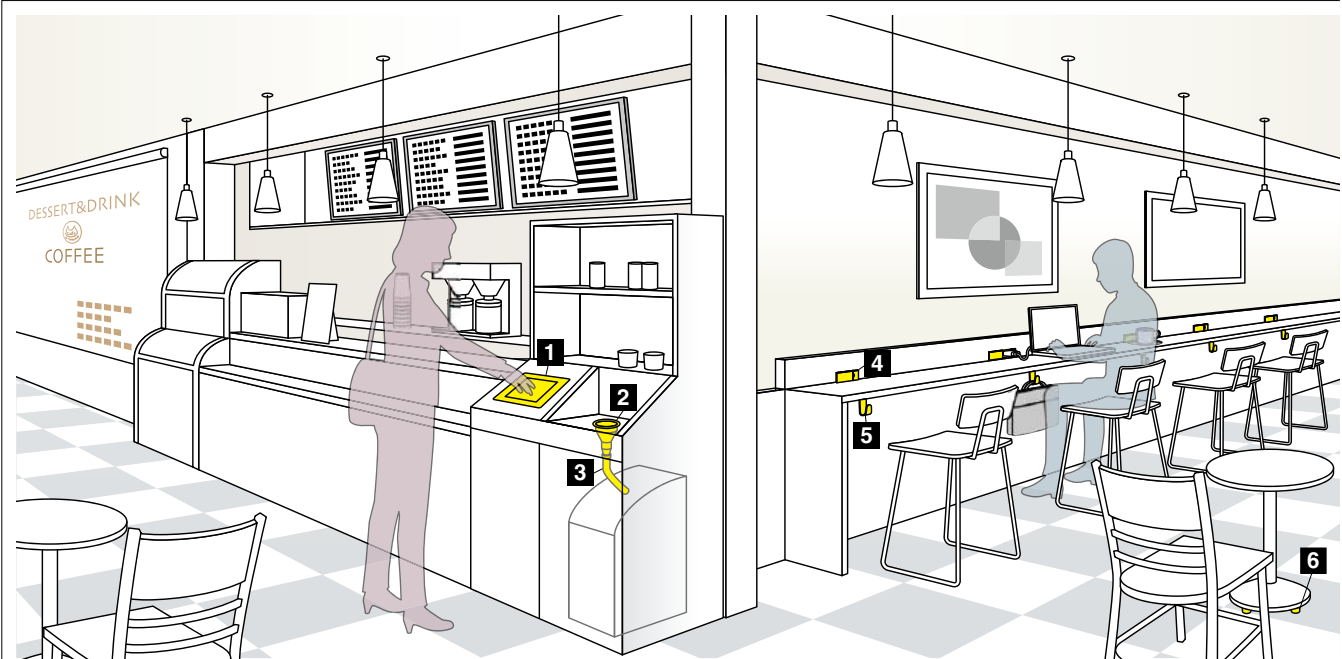


Multi-Purpose Lids

No.287

Wide range of
over
50 items

◆ Café / Food Court



MULTI PURPOSE LID (W/DAMPER)
AZ-GD232-HL

Can be installed between 45-85 degrees.

▶▶P.8



STAINLESS STEEL FUNNEL
AE-DH

Easily installed funnel for leftovers.

▶▶P.11



HOSE FOR AE-DH
AE-DH4540-1

Optional parts for AE-DH.

▶▶P.12



OUTLET COVER FOR USB
DMC

A simple design and chic colour make this ideal for cafes, etc.

▶▶Please contact us.



STAINLESS STEEL HOOK
HJ

Can be installed below the table for hanging bags.

▶▶No.240 P.136



SELF-LEVELING GLIDE SAJ
SAJ

Automatically adjusts for uneven flooring with special gel feet.

▶▶No.240 P.788

◆ Department Store



MULTI PURPOSE LID (W/DAMPER)
AZ-GD

Wide range available from $\phi 59$ - $\phi 147$, with varying finishes.

▶▶P.7



RING
AE-DH

Wide variation available from $\phi 59$ - $\phi 147$ with different finish.

▶▶P.5



SHELF STANDARD
SPE

Just 3mm thin with a high load capacity.

▶▶No.240 P.174



CABINET LOCK
8810

Key number is changeable without replacing cylinder.

▶▶No.240 P.315



POINT FIX
PE-32YT

Seamless design with the screw on side to fix glass on the wall.

▶▶Please contact us.



TORQUE HINGE
HG-TB

360° opening angle, suitable for mirrors, monitors and panels.

▶▶No.240 P.434

Dimensions Chart

		Width (Opening Dimensions)							
		50mm	100mm	150mm	200mm	250mm	276mm	300mm	
Without Lid	Top/Side/Diagonal	<p>NEW</p> <p>AN-DH005 AN-LH005 ▶ P.5</p> <p>AN-KH005-HL ▶ P.6</p>	<p>AN-DH008 AN-LH008 ▶ P.5</p> <p>AN-KH008-HL ▶ P.6</p>	<p>AN-DH011 AN-LH011 ▶ P.5</p>	<p>AN-DH015 AN-LH015 ▶ P.5</p> <p>AN-KH015-HL ▶ P.6</p>	<p>AN-SH026-HL ▶ P.11</p> <p>196x196 *</p>	<p>42x257 AN-SH026-HL ▶ P.11</p> <p>160x234 AZ-ND230-HL ▶ P.10</p>	<p>φ276</p> <p>276x276</p>	<p>220x310 AZ-ND310-HL ▶ P.10</p>
	With Lid	<p>AD-GD011-HL ▶ P.4</p>	<p>AD-GD015-HL ▶ P.4</p>	<p>AD-DH015-HL ▶ P.4</p>	<p>AD-KH015-HL ▶ P.6</p>	<p>φ196</p> <p>196x196 *</p>	<p>φ276</p> <p>276x276</p>	<p>φ276</p> <p>276x276</p>	<p>220x310 AZ-GD310-HL ▶ P.7</p>
With Lid	Top								
	Side					<p>NEW</p> <p>128x182 AZ-GD180-HL ▶ P.7</p>	<p>160x234 AZ-GD230-HL AZ-GD231-HL ▶ P.7-8</p> <p>160x234 AZ-HD230-HL ▶ P.9</p>	<p>220x310 AZ-GD310-HL ▶ P.7</p> <p>220x310 AZ-HD310-HL ▶ P.9</p>	<p>220x310 AZ-DD310-HL ▶ P.10</p>
With Lid	Diagonal	<p>Example</p> <p>Opening Dimensions: 220x310</p> <p>Item Name: AZ-GD310-HL ▶ P.7</p> <p>Page: Soft Closing</p> <p>Finish: Satin, Mirror, Gold</p>		<p>Back mounting type - Frame will be hidden.</p>		<p>NEW</p> <p>160x234 AZ-GD232-HL ▶ P.8</p>			

Refer to P.9 and P.11 for optional parts.

* = Under development

MULTI-PURPOSE LID (W/DAMPER)

STAINLESS
304
STEEL

AD-GD



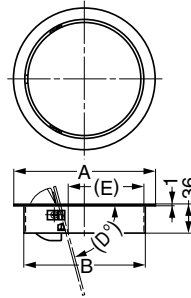
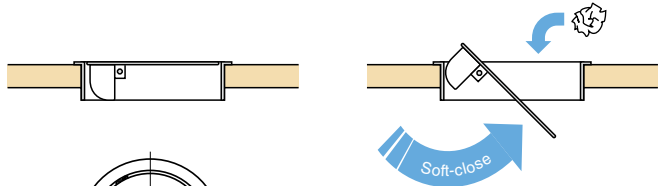
Soft close



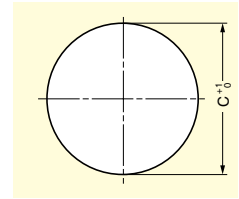
■ Features

- Lid equipped with damper.
- Corrosion resistant.
- Wide opening.
- Operating temperature: 0°C ~ 40°C

■ Installation



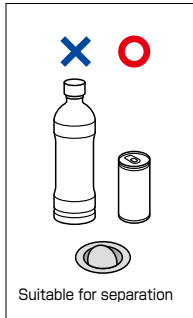
■ Cut Out Dimensions



■ Installation



Video Link



Item Code	Item Name	Material	Finish	A	B	C	D	E	Weight	Box	Carton
210-029-219	AD-GD011-HL(Old:AD-DH011-HL)	Stainless Steel (SUS304)	Satin	136	106	107	87	62	460 g	1 pc	10 pcs
210-022-107	AD-GD015-HL(Old:AD-DH017-HL)	Stainless Steel (SUS304)	Satin	170	146	147	75	90	1000 g	1 pc	10 pcs

MULTI-PURPOSE LID

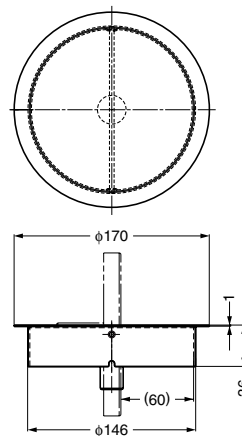
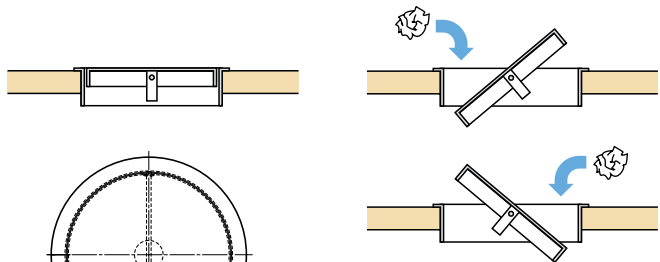
STAINLESS
304
STEEL

AD-DH015-HL

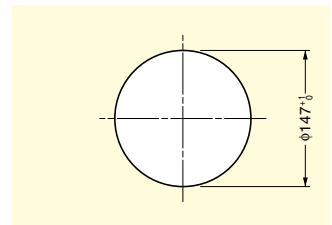
■ Features

- 360° rotation.
- Corrosion resistant.

■ Installation



■ Cut Out Dimensions

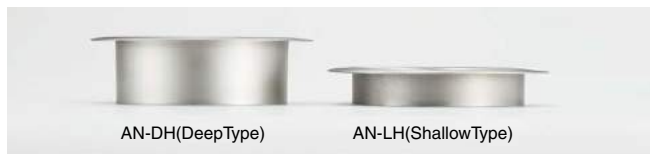


Item Code	Item Name	Material	Finish	Weight	Box	Carton
210-170-079	AD-DH015-HL	Stainless Steel (SUS304)	Satin	560 g	1 pc	10 pcs

RING COVER FOR REFUSE BOX

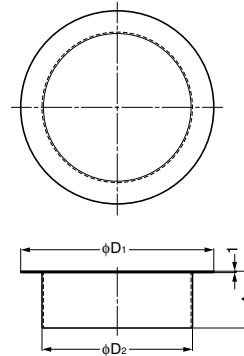
STAINLESS
304
STEEL

AN-DH, AN-LH



■ Features

- Corrosion resistant.
- Wide variations (Size/Depth/Finish)

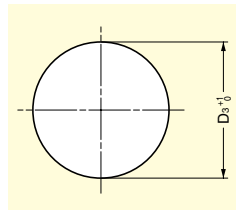


Suitable for separation

■ Installation



■ Cut Out Dimensions



AN-DH(DeepType)

Item Code	Item Name	A	D ₁	D ₂	D ₃	Material	Finish	Weight	Box	Carton
210-032-779	AN-DH005-GP	36	82	58	59	Stainless Steel (SUS304)	Gold	66 g	1 pc	100 pcs
210-032-780	AN-DH005-MR					Stainless Steel (SUS304)	Mirror	66 g	1 pc	100 pcs
210-032-781	AN-DH005-HL					Stainless Steel (SUS304)	Satin	66 g	1 pc	100 pcs
210-022-094	AN-DH008-GP	112	82	83	83	Stainless Steel (SUS304)	Gold+Clear	107 g	1 pc	10 pcs
210-022-095	AN-DH008-MR					Stainless Steel (SUS304)	Mirror	107 g	1 pc	10 pcs
210-022-096	AN-DH008-HL					Stainless Steel (SUS304)	Satin	107 g	1 pc	10 pcs
210-170-078	AN-DH011-GP	40	136	106	107	Stainless Steel (SUS304)	Gold+Clear	137 g	1 pc	10 pcs
210-170-076	AN-DH011-MR					Stainless Steel (SUS304)	Mirror	137 g	1 pc	10 pcs
210-170-077	AN-DH011-HL					Stainless Steel (SUS304)	Satin	137 g	1 pc	10 pcs
210-172-533	AN-DH015-GP	36	170	146	147	Stainless Steel (SUS304)	Gold+Clear	182 g	1 pc	10 pcs
210-172-532	AN-DH015-MR					Stainless Steel (SUS304)	Mirror	182 g	1 pc	10 pcs
210-172-531	AN-DH015-HL					Stainless Steel (SUS304)	Satin	182 g	1 pc	10 pcs

AN-LH(ShallowType)

Item Code	Item Name	A	D ₁	D ₂	D ₃	Material	Finish	Weight	Box	Carton
210-032-782	AN-LH005-GP	22	82	58	59	Stainless Steel (SUS304)	Gold	50 g	1 pc	100 pcs
210-032-783	AN-LH005-MR					Stainless Steel (SUS304)	Mirror	50 g	1 pc	100 pcs
210-032-784	AN-LH005-HL					Stainless Steel (SUS304)	Satin	50 g	1 pc	100 pcs
210-022-097	AN-LH008-GP	112	82	83	83	Stainless Steel (SUS304)	Gold+Clear	77 g	1 pc	10 pcs
210-022-098	AN-LH008-MR					Stainless Steel (SUS304)	Mirror	77 g	1 pc	10 pcs
210-022-099	AN-LH008-HL					Stainless Steel (SUS304)	Satin	77 g	1 pc	10 pcs
210-022-100	AN-LH011-GP	136	106	106	107	Stainless Steel (SUS304)	Gold+Clear	92 g	1 pc	10 pcs
210-022-101	AN-LH011-MR					Stainless Steel (SUS304)	Mirror	92 g	1 pc	10 pcs
210-022-102	AN-LH011-HL					Stainless Steel (SUS304)	Satin	92 g	1 pc	10 pcs
210-022-103	AN-LH015-GP	170	146	146	147	Stainless Steel (SUS304)	Gold+Clear	122 g	1 pc	10 pcs
210-022-104	AN-LH015-MR					Stainless Steel (SUS304)	Mirror	122 g	1 pc	10 pcs
210-022-105	AN-LH015-HL					Stainless Steel (SUS304)	Satin	122 g	1 pc	10 pcs

※AN-DH008 · AN-LH008 = AN-DH001 · AN-LH001 (Previous item name).



Without Lid



With Lid / Top Mounting



With Lid / Side Mounting



With Lid / Diagonal Mounting



Funnel

MULTI-PURPOSE LID (W/DAMPER)

STAINLESS
304
STEEL

AD-KH015-HL

Soft close

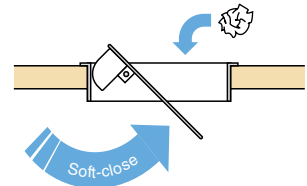
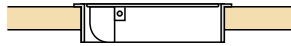


Without Lid

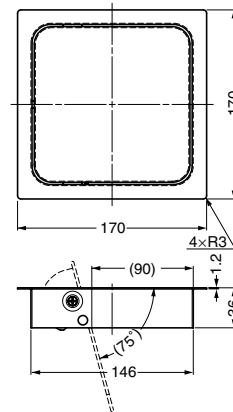
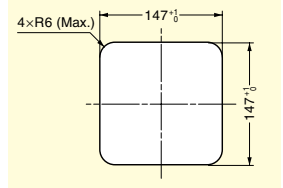
■ Features

- Lid equipped with damper.
- Corrosion resistant.
- Wide opening.
- Operating temperature: 0°C ~ 40°C

■ Installation



■ Cut Out Dimensions



Video Link



With Lid / Top Mounting

Item Code	Item Name	Material	Finish	Weight	Box	Carton
210-022-108	AD-KH015-HL(Old:AD-KH017-HL)	Stainless Steel (SUS304)	Satin	970 g	1 pc	6 pcs

SQUARE COVER FOR REFUSE BOX

STAINLESS
304
STEEL

AN-KH

AN-KH005-HL

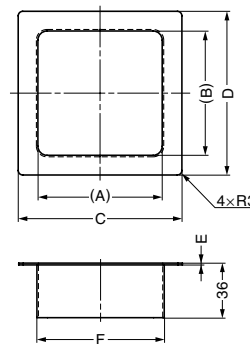


AN-KH008-HL

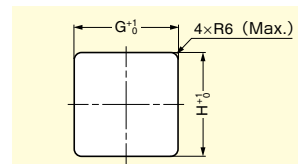
AN-KH015-HL

■ Features

Corrosion resistant.



■ Cut Out Dimensions



Suitable for separation

Item Code	Item Name	Material	Finish	A	B	C	D	E	F	G	H	Weight	Box	Carton
210-032-785	AN-KH005-HL	Stainless Steel (SUS304)	Satin	56	56	82	82	1.2	58	59	59	87 g	1 pc	150 pcs
210-028-436	AN-KH008-HL (Old : AN-KH001)	Stainless Steel (SUS304)	Satin	82	82	108	108	1.2	84	85	85	126 g	1 pc	10 pcs
210-022-109	AN-KH015-HL (Old : AN-KH017)	Stainless Steel (SUS304)	Satin	144	144	170	170	1.2	146	147	147	217 g	1 pc	10 pcs

MULTI-PURPOSE LID (W/DAMPER)

STAINLESS
304
STEEL

AZ-GD

Video Link



■ Features

- Lid equipped with damper.
- Installed with anti-pinching plates.
- Corrosion resistant.

■ Remarks

Operating temperature: 0°C ~ 40°C

■ Sold Separately

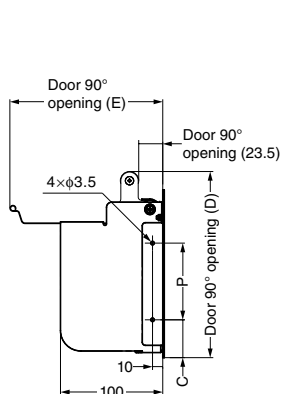
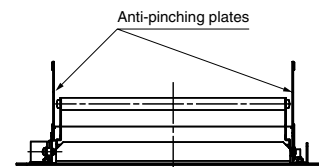
Guide:AZ-SLP(P.9)



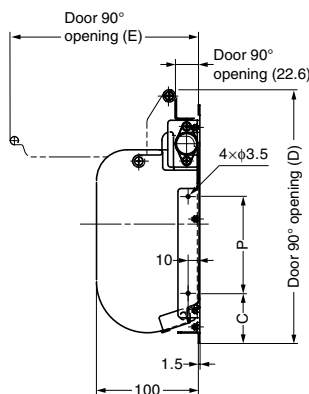
AZ-GD180-HL

AZ-GD230-HL

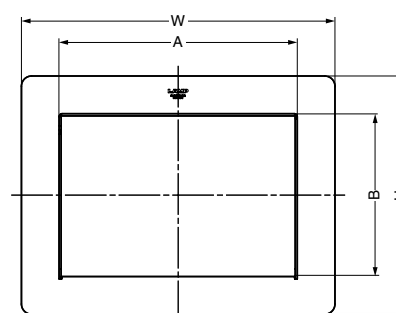
AZ-GD310-HL



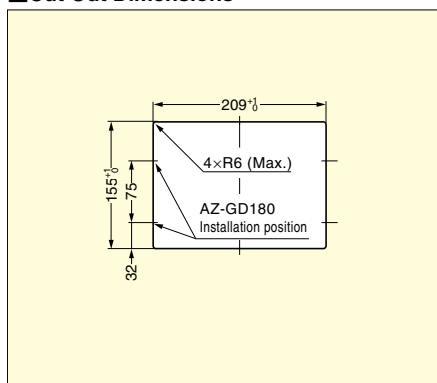
AZ-GD180-HL



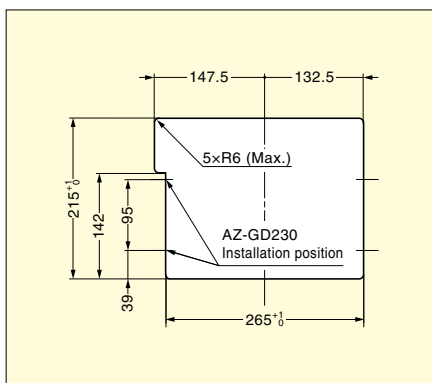
AZ-GD230-HL
AZ-GD310-HL



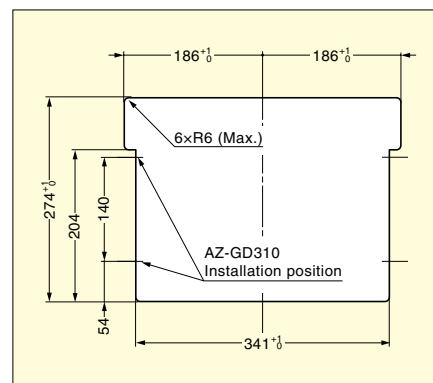
■ Cut Out Dimensions



AZ-GD180-HL



AZ-GD230-HL



AZ-GD310-HL

Item Code	Item Name	Material	Finish	A	B	W	H	C	D	E	P	Weight	Box	Carton
210-033-487	AZ-GD180-HL	Stainless Steel (SUS304)	Satin	182	128	218	164	37	182	149.5	75	1042 g	1 pc	10 pcs
210-017-089	AZ-GD230-HL	Stainless Steel (SUS304)	Satin	234	160	308	234	49	249	184.7	95	1486 g	1 pc	10 pcs
210-022-110	AZ-GD310-HL	Stainless Steel (SUS304)	Satin	310	220	384	294	64	310	244.7	140	2236 g	1 pc	10 pcs



Without Lid



With Lid / Top Mounting



With Lid / Side Mounting



With Lid / Diagonal Mounting



Funnel

MULTI-PURPOSE LID (W/DAMPER)

STAINLESS
304
STEEL

AZ-GD231-HL

Soft close



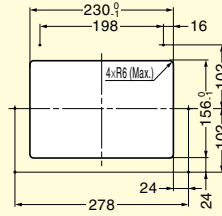
■ Features

- Lid equipped with damper.
- Installed with anti-pinching plates.

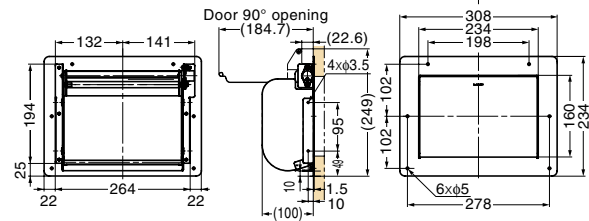
■ Remarks

- Indoor use only.
- Operating temperature: 0~40°C.

■ Cut Out Dimensions



■ Application Example

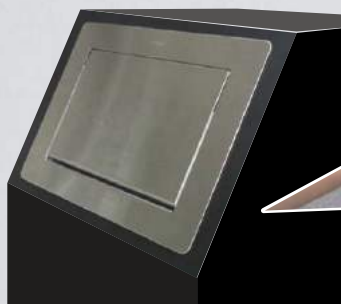


Item Code	Item Name	Material	Finish	Weight	Box	Carton
210-027-508	AZ-GD231-HL	Stainless Steel (SUS304)	Satin	1486 g	1 pc	10 pcs

MULTI-PURPOSE LID (W/DAMPER)

AZ-GD232-HL

Soft close



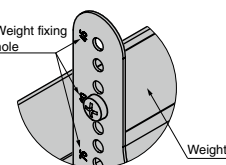
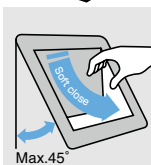
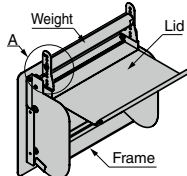
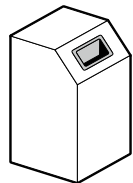
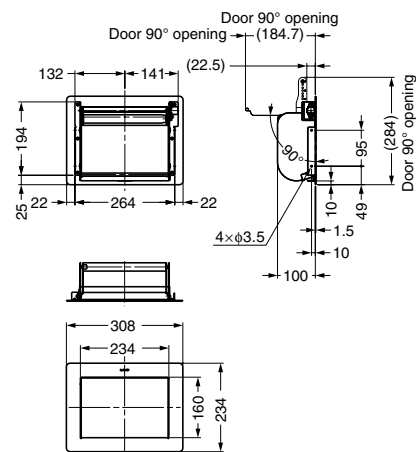
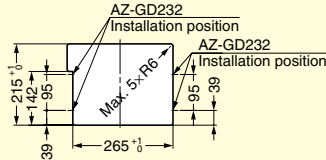
■ Features

- Lid equipped with damper.
- Able to install the lid with angle of 85 to 45 degrees.
- Installed with anti-pinching plates.
- Corrosion resistant.

■ Remarks

- Operating temperature: 0°C~40°C

■ Cut Out Dimensions



Item Code	Item Name	Material	Finish	Weight	Box	Carton
210-032-975	AZ-GD232-HL	Stainless Steel (SUS304)	Satin	2200	1 pc	10 pcs

GUIDE FOR MULTI-PURPOSE LID



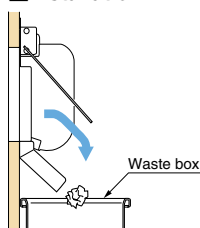
AZ-SLP



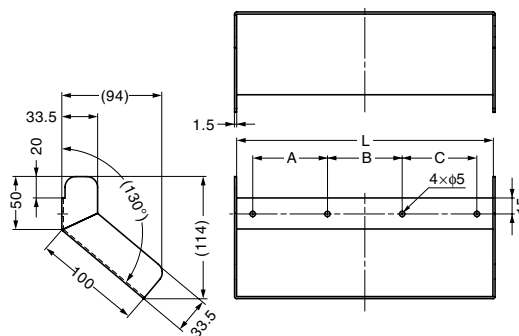
■Features

Guides garbage into waste box inside.

■Installation



■Application Example



Item Code	Item Name	Compatible Items	Material	Finish	L	A	B	C	Weight	Box	Carton
210-026-554	AZ-SLP230	AZ-GD230 (P.796),AZ-GD231 (Above),AZ-GD232(P.798)	Stainless Steel (SUS304)	Plain	241	70	70	70	450 g	1 pc	20 pcs
210-026-555	AZ-SLP310	AZ-GD310 (P.796)	Stainless Steel (SUS304)	Plain	317	80	80	80	570 g	1 pc	20 pcs

MULTI-PURPOSE LID (W/HANDLE)

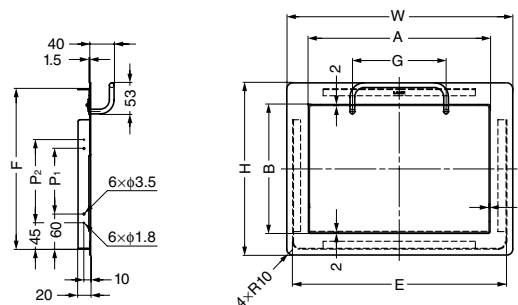


AZ-HD

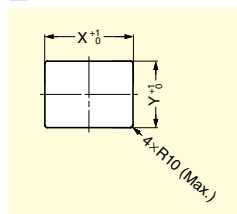


■Features

- Easy opening with handle.
- Corrosion resistant.



■Cut Out Dimensions



Item Code	Item Name	Material	Finish	A	B	W	H	E	F	G	P ₁	P ₂	X	Y	Weight	Box	Carton
210-180-601	AZ-HD230-HL	Stainless Steel (SUS304)	Satin	234	160	308	234	288	214	120	60	90	289	215	540 g	1 pc	10 pcs
210-180-602	AZ-HD310-HL	Stainless Steel (SUS304)	Satin	310	220	384	294	364	274	160	112	142	365	275	2200 g	5 pcs	10 pcs

Without Lid

With Lid / Top Mounting

With Lid / Side Mounting

With Lid / Diagonal Mounting

Funnel

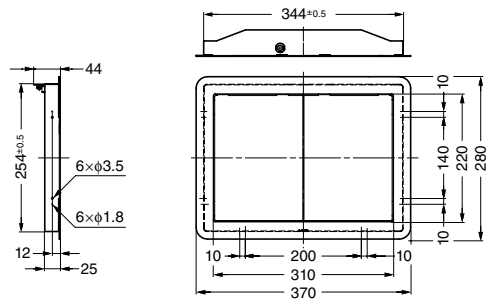
MULTI-PURPOSE LID (DOUBLE DOOR)



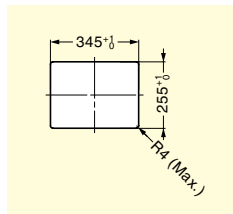
AZ-DD310-HL

■ Features

- Synchronized doors allow easy opening.
- Spring loaded for self-closing.
- Corrosion resistant.



■ Cut Out Dimensions



Item Code	Item Name	Material	Finish	Weight	Box	Carton
210-180-600	AZ-DD310-HL	Stainless Steel (SUS304)	Satin	2000 g	1 pc	10 pcs

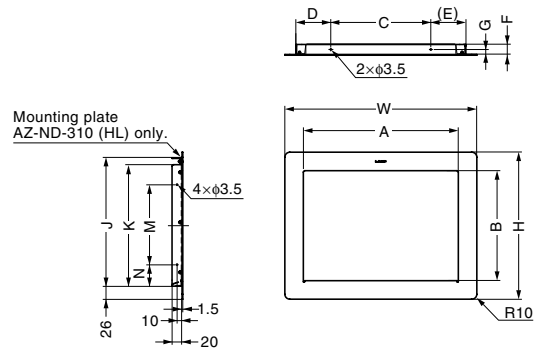
SQUARE COVER FOR REFUSE BOX



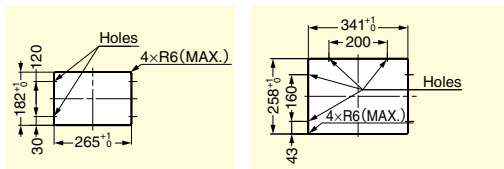
AZ-ND

■ Features

Corrosion resistant.



■ Cut Out Dimensions



AZ-ND230-HL

AZ-ND310-HL

Item Code	Item Name	Material	Finish	A	B	W	H	C	D	E	F	G	J	K	M	N	Weight	Box	Carton
210-017-986	AZ-ND230-HL	Stainless Steel (SUS304)	Satin	234	160	308	234	-	-	-	-	-	-	170	120	30	720 g	1 pc	10 pcs
210-026-553	AZ-ND310-HL	Stainless Steel (SUS304)	Satin	310	220	384	294	200	70	70	20	10	257	243	160	43	1050 g	1 pc	10 pcs

MULTI-PURPOSE GROMMET

STAINLESS
304
STEEL

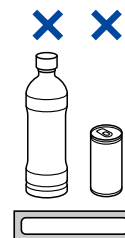
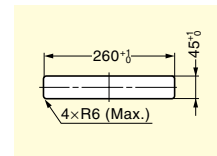
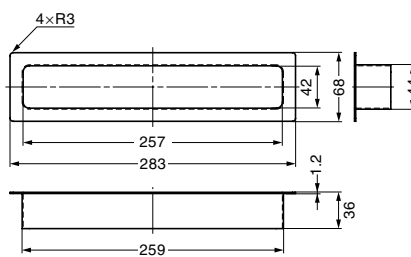
AN-SH026-HL



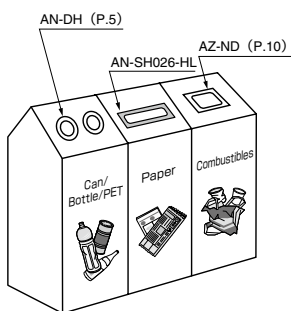
Features

- Corrosion resistant.
- Ideal for magazine/news paper waste box.

Cut Out Dimensions



Suitable for separation



Item Code	Item Name	Material	Finish	Weight	Box	Carton
210-028-437	AN-SH026-HL	Stainless Steel (SUS304)	Satin	290 g	1 pc	10 pcs

STAINLESS STEEL FUNNEL

STAINLESS
304
STEEL

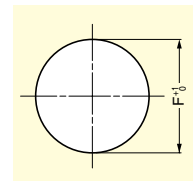
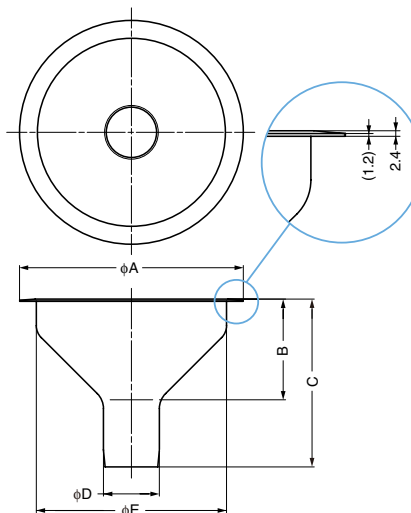
AE-DH



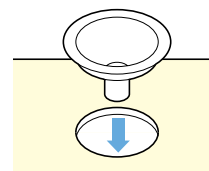
Sold Separately

- Hose: AE-DH4540-1 (Below)
- Strainer: AE-DH020K-45 (P.12)

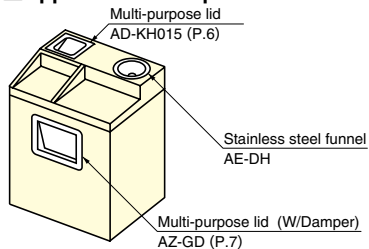
Cut Out Dimensions



Easy Installation



Application Example



Item Code	Item Name	A	B	C	D	E	F	Material	Finish	Hose Diameter	Weight	Box	Carton
210-026-556	AE-DH015-MR	150	55	95	38	120	121	Stainless Steel (SUS304)	Mirror	φ 38	270 g	1 pc	12 pcs
210-026-557	AE-DH015-HL	150	55	95	38	120	121	Stainless Steel (SUS304)	Satin	φ 38	270 g	1 pc	12 pcs
210-022-106	AE-DH020-MR	200	90	150	50	170	171	Stainless Steel (SUS304)	Mirror	φ 50	490 g	1 pc	12 pcs
210-023-509	AE-DH020-HL	200	90	150	50	170	171	Stainless Steel (SUS304)	Satin	φ 50	490 g	1 pc	12 pcs

Without Lid

With Lid / Top Mounting

With Lid / Side Mounting

With Lid / Diagonal Mounting

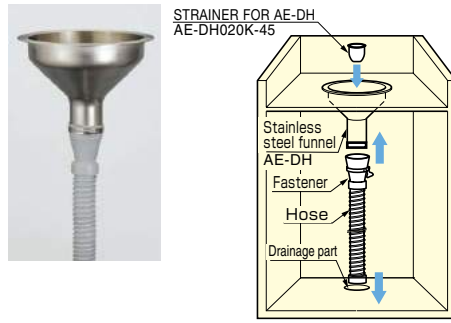
Funnel

HOSE FOR AE-DH

AE-DH4540-1

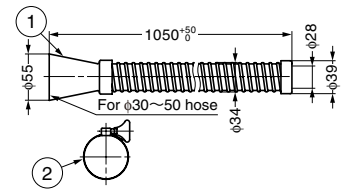


Application Example



Remarks

Operating temperature: 1 ~ 60°C.



No.	Part Name	Material	Finish/Colour
①	Hose	Polyvinyl Chloride Resin (PVC)	Grey
②	Fastener	Stainless Steel	Plain

Item Code	Item Name	Weight	Box	Carton
210-026-942	AE-DH4540-1	170 g	10 pcs	50 pcs

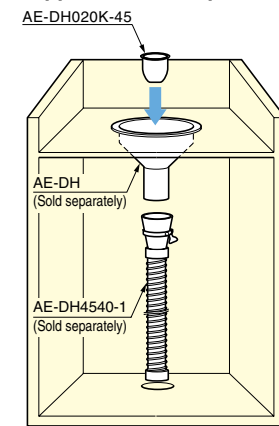
STRAINER FOR AE-DH



AE-DH020K-45

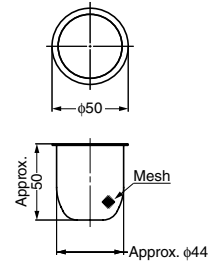


Application Example



Remarks

- Sold per 2 pieces.
- For AE-DH020 (P.11).



Item Code	Item Name	Material	Finish	Weight	Box	Carton
210-032-187	AE-DH020K-45	Stainless Steel (SUS304)	Polished	8 g	20 pcs/10 sets	120 pcs/60 sets



Sugatsune YouTube channel

There are movies introducing Sugatsune products' advantages, installment methods, and movements.

<https://www.youtube.com/channel/UcK7KankjLfU9moMuAenEVpw>

