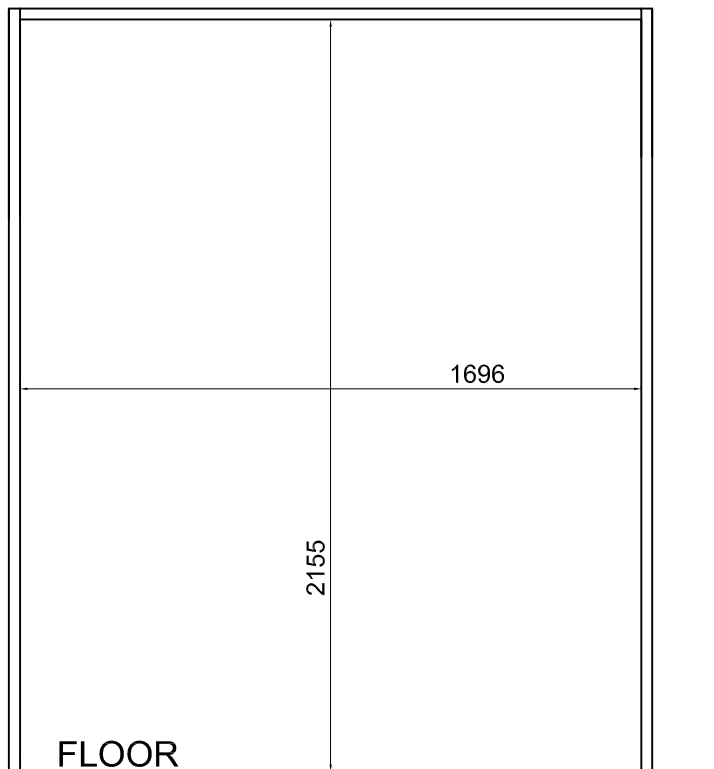


# CLICK-V 1630x 2020



## CABINET DIMENSIONS:

INTERNAL WIDE 1696mm  
 HEIGHT FROM THE FLOOR 2155mm  
 BASAMENT HEIGHT MAX 60mm  
if you change basament dimension you have to change door size and holes (\*)

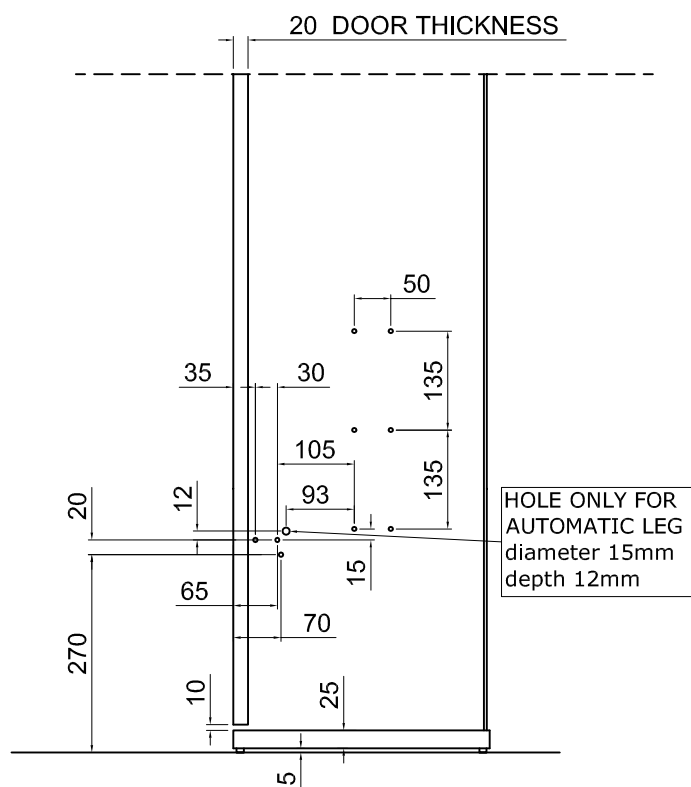
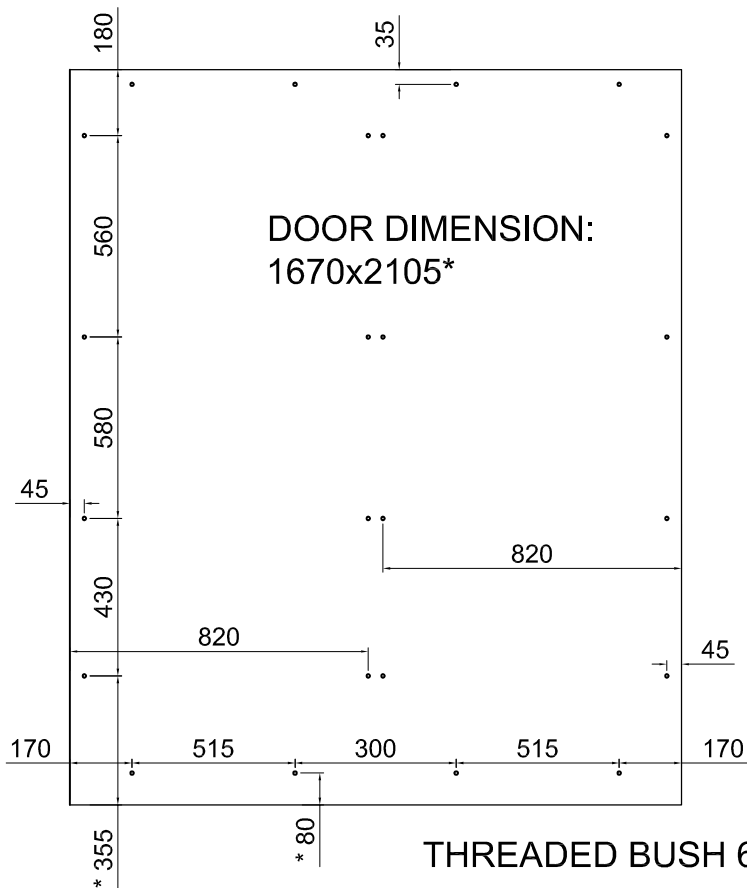
## EXAMPLE:

BASAMENT HEIGHT 30mm=25mm base + 5mm adjustable feet  
 DOOR DIMENSION 1670x2105

## DEPTH CABINET:

**THICKNESS DOOR + 280mm + THICKNESS BACK PANEL**

## HOLES FOR RIGHT AND LEFT SIDE



HOLE ONLY FOR AUTOMATIC LEG  
 diameter 15mm  
 depth 12mm

THREADED BUSH 6MA

THREADED BUSH 6MA

**FRONTAL PANEL + MATTRESS WEIGHT 75 Kg**  
**WEIGHT MATTRESS ≥ WEIGHT FRONTAL PANEL**  
**HEIGHT MATTRESS 180mm**

**if WEIGHT MATTRESS < WEIGHT FRONTAL PANEL**  
**USE OUR CLOSURES:**  
**A51 TUBE WITH MAGNET**  
**A52 LOCK**

