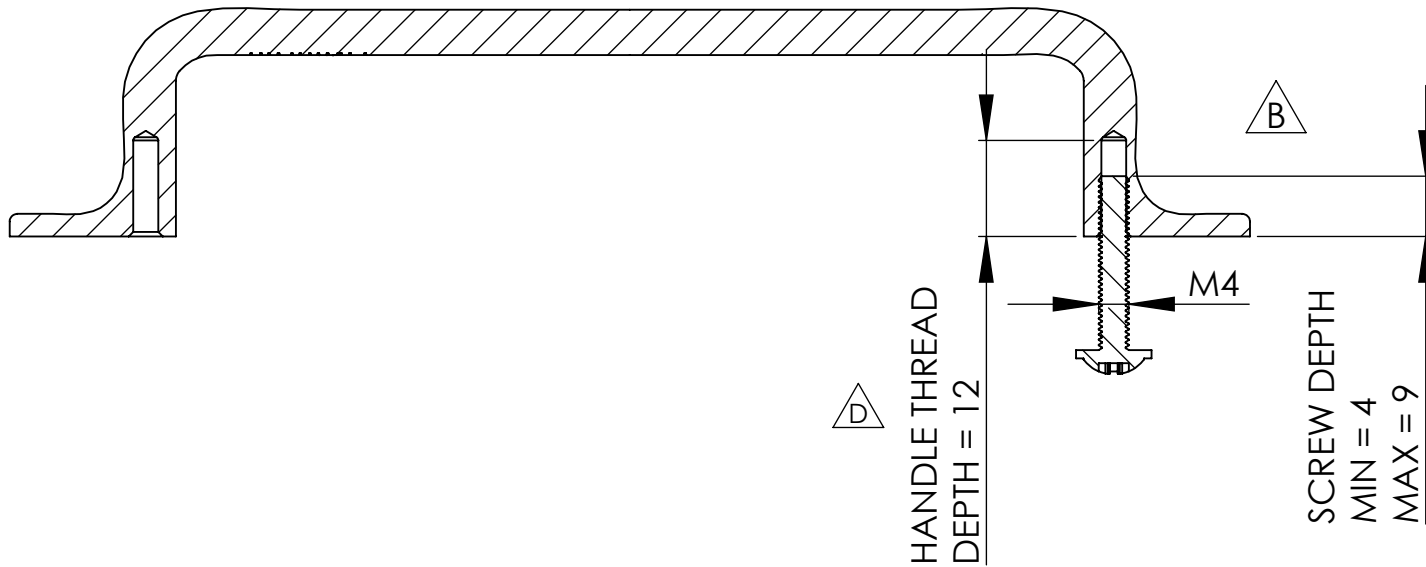


SECTION B-B

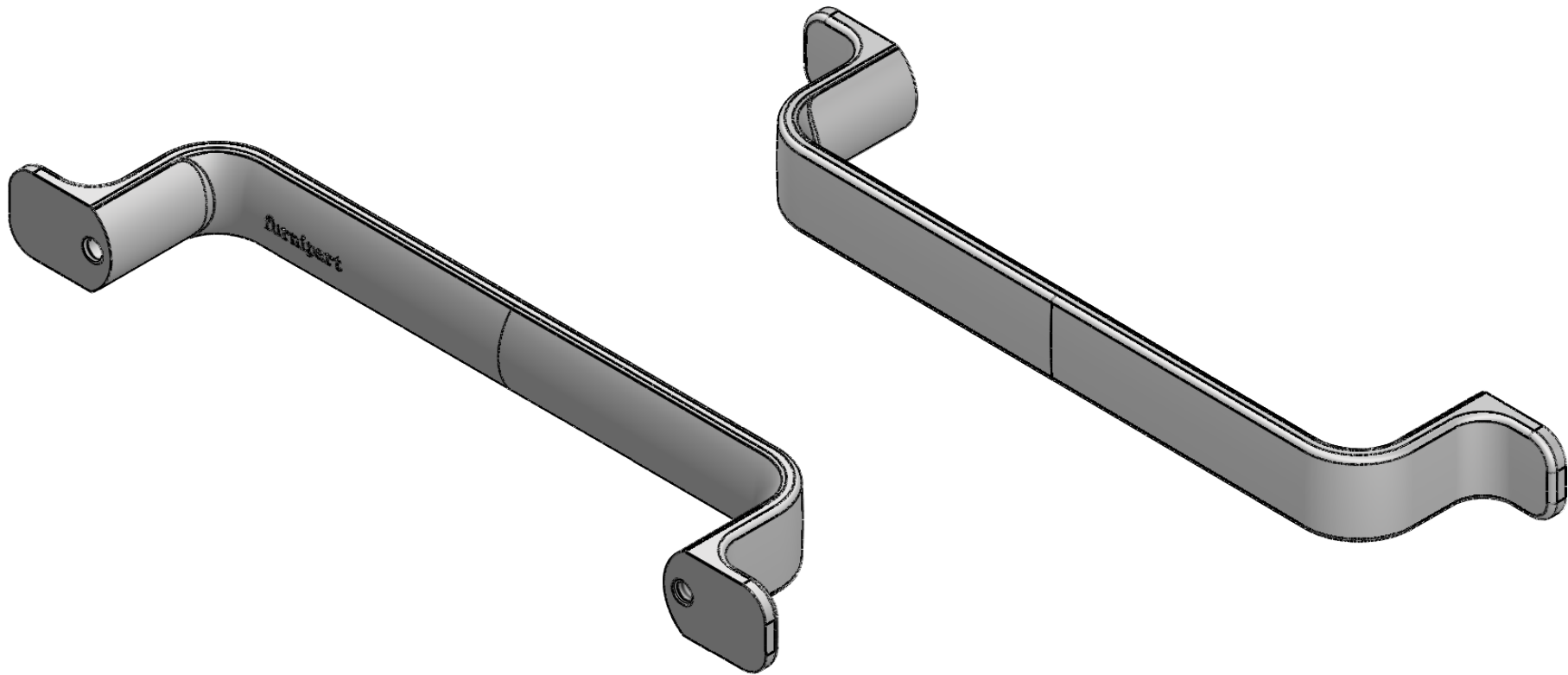
SECTION A-A

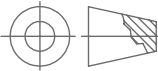

Part name: RIO	Projection: 	Sheet format: A4	Tolerance unless otherwise specified DS/ISO 2768-1M																			
Customer:	Drawn by: ps date 14.11.2013	Scale: 1:1	<table border="1"> <tr> <td>Linear dimensions:</td> <td>0-3</td> <td>3-6</td> <td>6-30</td> <td>30-120</td> <td>120-400</td> <td>400-1000</td> <td>1000-2000</td> </tr> <tr> <td></td> <td>± 0.1</td> <td>± 0.1</td> <td>± 0.2</td> <td>± 0.3</td> <td>± 0.5</td> <td>± 0.8</td> <td>± 1.2</td> </tr> </table>				Linear dimensions:	0-3	3-6	6-30	30-120	120-400	400-1000	1000-2000		± 0.1	± 0.1	± 0.2	± 0.3	± 0.5	± 0.8	± 1.2
Linear dimensions:	0-3	3-6	6-30	30-120	120-400	400-1000	1000-2000															
	± 0.1	± 0.1	± 0.2	± 0.3	± 0.5	± 0.8	± 1.2															
Part no.: 530660128-xx.1	Material: Zinc	Weight: 104,52 grams	<table border="1"> <tr> <td>Angle</td> <td>Radius</td> <td></td> <td></td> </tr> <tr> <td>± 0.5°</td> <td>± 5%</td> <td></td> <td></td> </tr> </table>				Angle	Radius			± 0.5°	± 5%										
Angle	Radius																					
± 0.5°	± 5%																					
Page 1 of 3																						
<table border="1"> <tr> <td>Delta 2</td> <td>Phone: +45 87 64 35 00</td> </tr> <tr> <td>DK-8382 Hinnerup</td> <td>Fax: +45 87 64 35 01</td> </tr> </table>						Delta 2	Phone: +45 87 64 35 00	DK-8382 Hinnerup	Fax: +45 87 64 35 01													
Delta 2	Phone: +45 87 64 35 00																					
DK-8382 Hinnerup	Fax: +45 87 64 35 01																					

Rev.:	Date:	Name:	Description:
D	23-10-2019	MCH	Dimension changed
C	01-08-2017	IKR	Screw definition added
B	14-05-2014	PS	Thread length changed from 8 to 9 mm
A	14-11-2013	PS	Dimension 122 changed to 120 and R11.4 to 9.4



Part name: RIO		Projection: 	Sheet format: A4	Tolerance unless otherwise specified DS/ISO 2768-1M																						
Customer:		Drawn by: ps date 14.11.2013	Scale: 1:1	<table border="1"> <tr> <td>Linear dimensions:</td> <td>0-3</td> <td>3-6</td> <td>6-30</td> <td>30-120</td> <td>120-400</td> <td>400-1000</td> <td>1000-2000</td> </tr> <tr> <td></td> <td>± 0.1</td> <td>± 0.1</td> <td>± 0.2</td> <td>± 0.3</td> <td>± 0.5</td> <td>± 0.8</td> <td>± 1.2</td> </tr> </table>					Linear dimensions:	0-3	3-6	6-30	30-120	120-400	400-1000	1000-2000		± 0.1	± 0.1	± 0.2	± 0.3	± 0.5	± 0.8	± 1.2		
Linear dimensions:	0-3	3-6	6-30	30-120	120-400	400-1000	1000-2000																			
	± 0.1	± 0.1	± 0.2	± 0.3	± 0.5	± 0.8	± 1.2																			
Part no.: 530660128-xx.1		Page 2 of 3		<table border="1"> <tr> <td>Angle</td> <td>Radius</td> <td></td> <td></td> </tr> <tr> <td>± 0.5°</td> <td>± 5%</td> <td></td> <td></td> </tr> </table>					Angle	Radius			± 0.5°	± 5%												
Angle	Radius																									
± 0.5°	± 5%																									
Material: Zinc		Weight: 104,52 grams																								
<table border="1"> <tr> <td>Rev.:</td> <td>Date:</td> <td>Name:</td> <td>Description:</td> </tr> <tr> <td>D</td> <td>23-10-2019</td> <td>MCH</td> <td>Dimension changed</td> </tr> <tr> <td>C</td> <td>01-08-2017</td> <td>IKR</td> <td>Screw definition added</td> </tr> <tr> <td>B</td> <td>14-05-2014</td> <td>PS</td> <td>Thread length changed from 8 to 9 mm</td> </tr> <tr> <td>A</td> <td>14-11-2013</td> <td>PS</td> <td>Dimension 122 changed to 120 and R11.4 to 9.4</td> </tr> </table>		Rev.:	Date:						Name:	Description:	D	23-10-2019	MCH	Dimension changed	C	01-08-2017	IKR	Screw definition added	B	14-05-2014	PS	Thread length changed from 8 to 9 mm	A	14-11-2013	PS	Dimension 122 changed to 120 and R11.4 to 9.4
Rev.:	Date:	Name:	Description:																							
D	23-10-2019	MCH	Dimension changed																							
C	01-08-2017	IKR	Screw definition added																							
B	14-05-2014	PS	Thread length changed from 8 to 9 mm																							
A	14-11-2013	PS	Dimension 122 changed to 120 and R11.4 to 9.4																							
COPYRIGHT: THIS DRAWING MAY NOT BE COPIED OR REPRODUCED IN ANY WAY WITHOUT DIRECT PERMISSION FROM FURNIPART A/S																										



Part name: RIO	Projection: 	Sheet format: A4	Tolerance unless otherwise specified DS/ISO 2768-1M																			
Customer:	Drawn by: ps date 14.11.2013	Scale: 1:1	<table border="1"> <tr> <td>Linear dimensions:</td> <td>0-3</td> <td>3-6</td> <td>6 - 30</td> <td>30- 120</td> <td>120- 400</td> <td>400- 1000</td> <td>1000- 2000</td> </tr> <tr> <td></td> <td>± 0.1</td> <td>± 0.1</td> <td>± 0.2</td> <td>± 0.3</td> <td>± 0.5</td> <td>± 0.8</td> <td>± 1.2</td> </tr> </table>				Linear dimensions:	0-3	3-6	6 - 30	30- 120	120- 400	400- 1000	1000- 2000		± 0.1	± 0.1	± 0.2	± 0.3	± 0.5	± 0.8	± 1.2
Linear dimensions:	0-3	3-6	6 - 30	30- 120	120- 400	400- 1000	1000- 2000															
	± 0.1	± 0.1	± 0.2	± 0.3	± 0.5	± 0.8	± 1.2															
Part no.: 530660128-xx.1	Material: Zinc	Weight: 104,52 grams	<table border="1"> <tr> <td>Angle</td> <td>Radius</td> <td></td> <td></td> </tr> <tr> <td>± 0.5°</td> <td>± 5%</td> <td></td> <td></td> </tr> </table>				Angle	Radius			± 0.5°	± 5%										
Angle	Radius																					
± 0.5°	± 5%																					
Page 3 of 3																						
<table border="1"> <tr> <td>Delta 2</td> <td>Phone:</td> <td>+45 87 64 35 00</td> </tr> <tr> <td>DK-8382 Hinnerup</td> <td>Fax:</td> <td>+45 87 64 35 01</td> </tr> </table>						Delta 2	Phone:	+45 87 64 35 00	DK-8382 Hinnerup	Fax:	+45 87 64 35 01											
Delta 2	Phone:	+45 87 64 35 00																				
DK-8382 Hinnerup	Fax:	+45 87 64 35 01																				
COPYRIGHT: THIS DRAWING MAY NOT BE COPIED OR REPRODUCED IN ANY WAY WITHOUT DIRECT PERMISSION FROM FURNIPART A/S																						

Rev.:	Date:	Name:	Description:
D	23-10-2019	MCH	Dimension changed
C	01-08-2017	IKR	Screw definition added
B	14-05-2014	PS	Thread length changed from 8 to 9 mm
A	14-11-2013	PS	Dimension 122 changed to 120 and R11.4 to 9.4