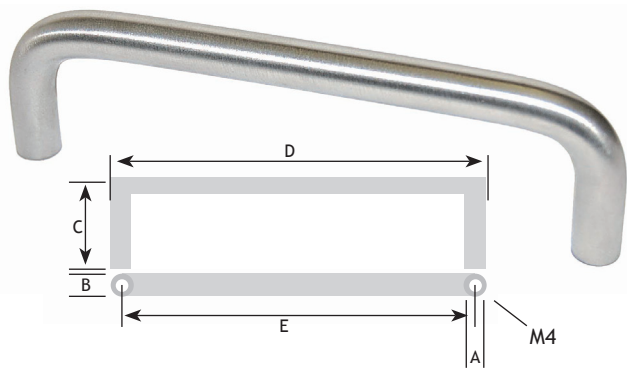


# MODERN BESLAG

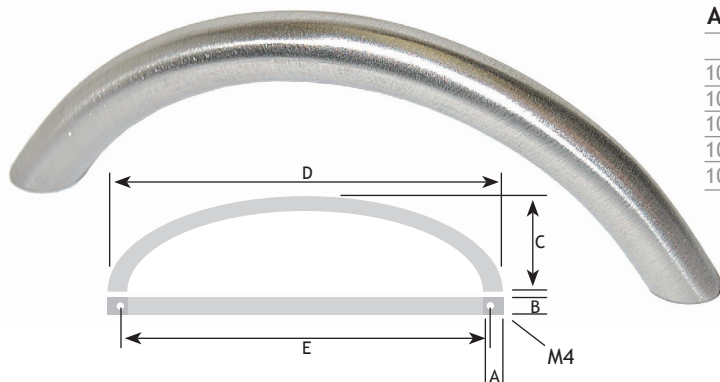
GREPEN IN RVS



## AFMETINGEN

## CODE

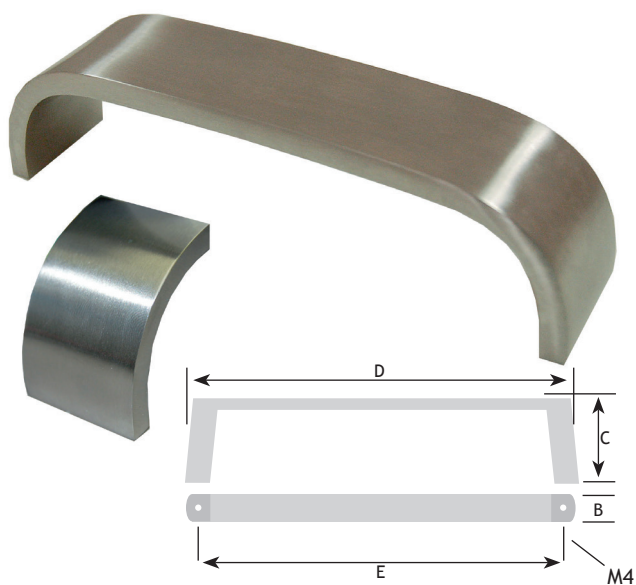
A	B	C	D	E		
8 mm	8 mm	30 mm	72 mm	64 mm	rvs	8199-9906
8 mm	8 mm	30 mm	104 mm	96 mm	rvs	8199-9909
8 mm	8 mm	35 mm	136 mm	128 mm	rvs	8199-9912
10 mm	10 mm	30 mm	72 mm	64 mm	rvs	8200-0906
10 mm	10 mm	30 mm	106 mm	96 mm	rvs	8200-0909
10 mm	10 mm	30 mm	138 mm	128 mm	rvs	8200-0912
10 mm	10 mm	30 mm	170 mm	160 mm	rvs	8200-0916
10 mm	10 mm	30 mm	234 mm	224 mm	rvs	8200-0922
10 mm	10 mm	30 mm	330 mm	320 mm	rvs	8200-0932
10 mm	10 mm	30 mm	426 mm	416 mm	rvs	8200-0941
10 mm	10 mm	30 mm	522 mm	512 mm	rvs	8200-0951



## AFMETINGEN

## CODE

A	B	C	D	E		
10 mm	10 mm	36 mm	112 mm	96 mm	rvs	8200-1909
10 mm	10 mm	36 mm	148 mm	128 mm	rvs	8200-1912
10 mm	10 mm	36 mm	180 mm	160 mm	rvs	8200-1916
10 mm	10 mm	36 mm	212 mm	192 mm	rvs	8200-1919
10 mm	10 mm	36 mm	308 mm	288 mm	rvs	8200-1928



## AFMETINGEN

## CODE

A	C	D	E		
29 mm	35 mm	103 mm	96 mm	rvs	8395-0096
29 mm	35 mm	135 mm	128 mm	rvs	8395-0128
29 mm	35 mm	199 mm	192 mm	rvs	8395-0192
29 mm	35 mm	327 mm	320 mm	rvs	8395-0320